

TN Crane Scales



IP65

Content

1

Models

2

Characteristics

3

Specification

4

Segments



TN Series

TN Model



- Large LCD Display
- Mechanical keys
- Rechargeable Li- Battery
- 3x 3000 d
- 600kg to 12Ton
- Die-Casting Aluminum Housing

Characteristics

Long Lasting
Battery

Large Display

Interface
Configuration

Compact
Design

Features and
Function

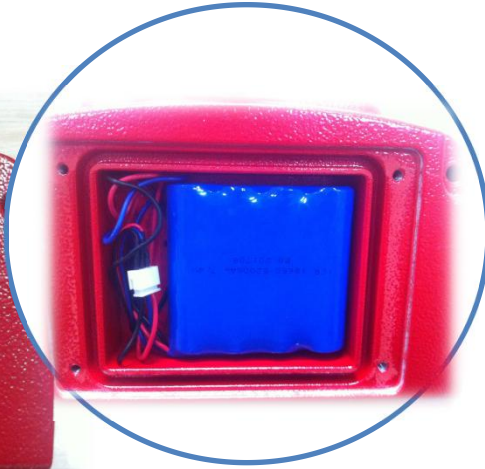
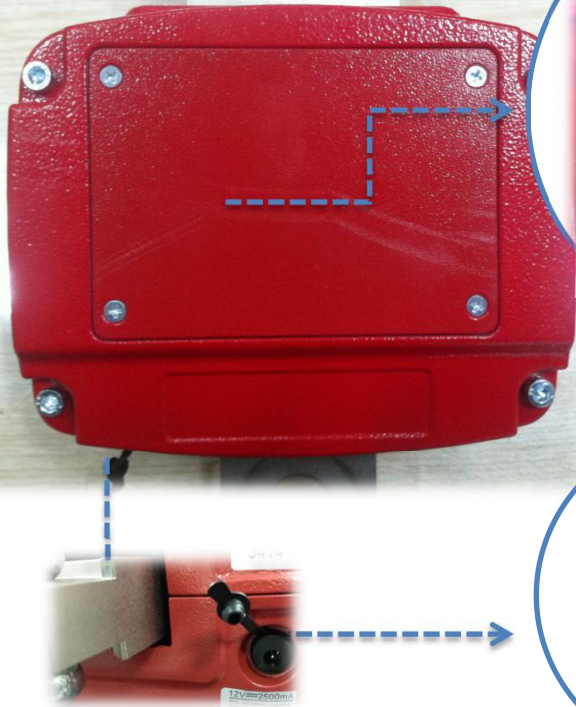
Compact Design



- **Die-Casting Aluminum Housing**
- **Alloy Steel Load Cell**

Long Lasting Battery

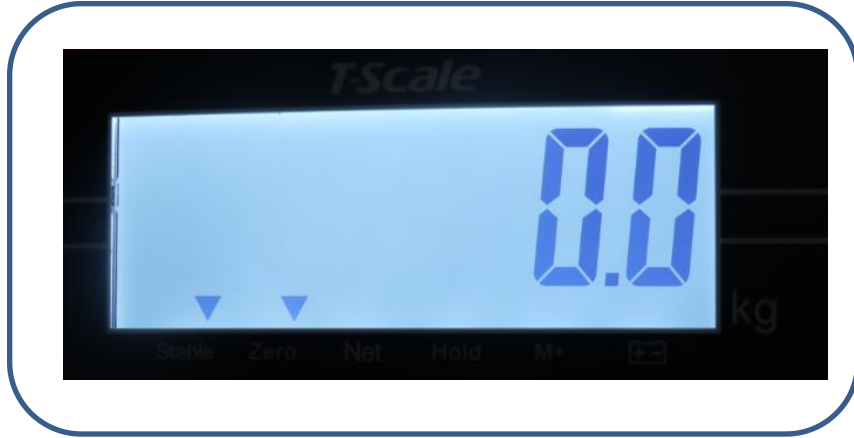
Power Source



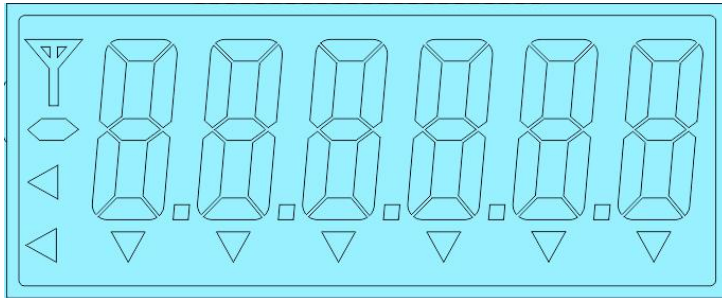
- Rechargeable Li-Battery
- Easily Access
- 7.4V/5200mAh Battery Provide 72 hours continuous use without Backlight
- Reliable Use With 100/240VAC 50/60Hz Adaptor



Large Display



- Large and Easy to Read Display



- 30mm Digits LCD Display with white LED backlight

Features and Function



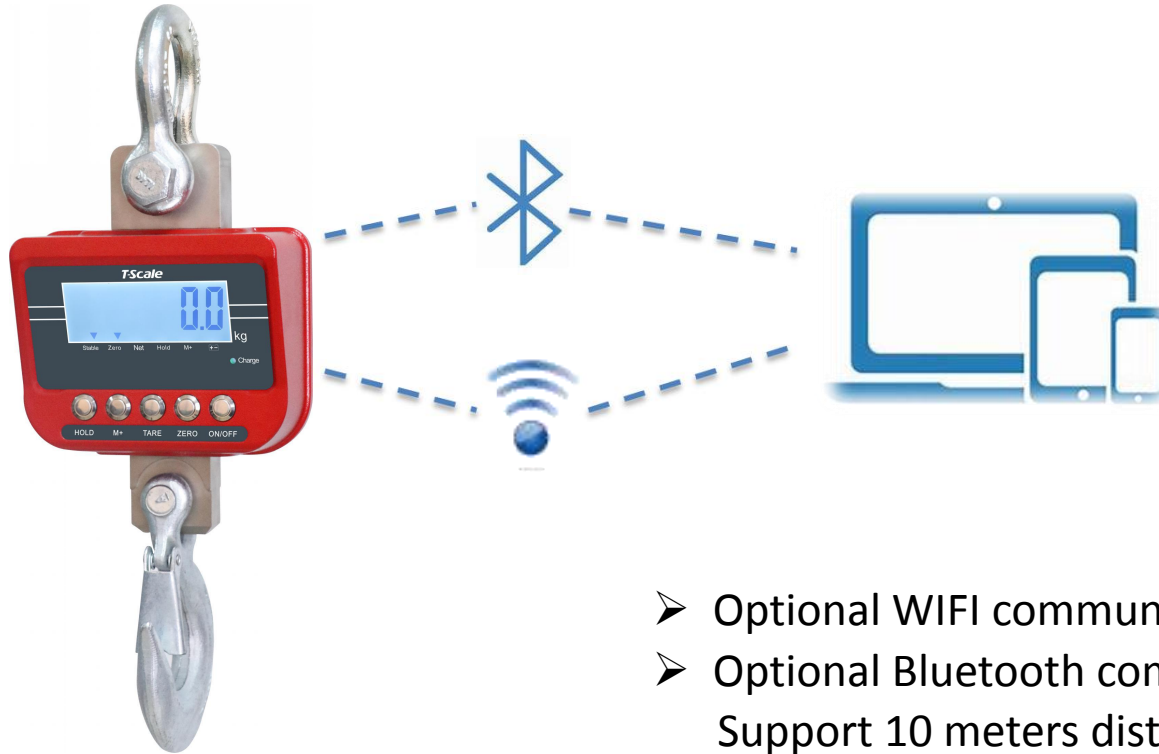
- Zero, Tare, Accumulation and Hold Functions
- Mechanical keys for long last and easy operations
- Remote controller for operations

Shackle & Hook



- Strong Alloy Steel Shackle & Hook with the safety lock

Communication



- Optional WIFI communication
- Optional Bluetooth communication
Support 10 meters distance for data transmission

Keys
Operation

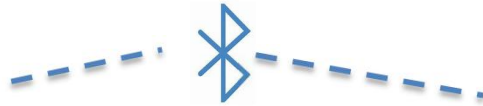
Product&Operator
configuration

TA100 APP SOFTWARE

Weighing Record
Management

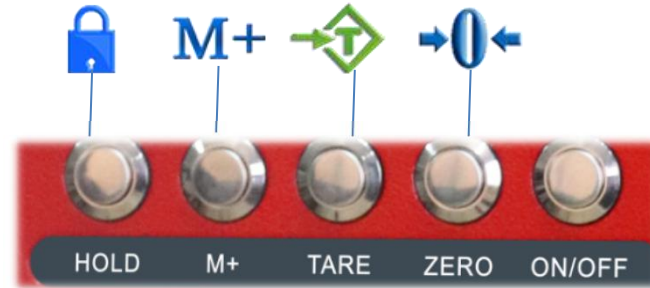
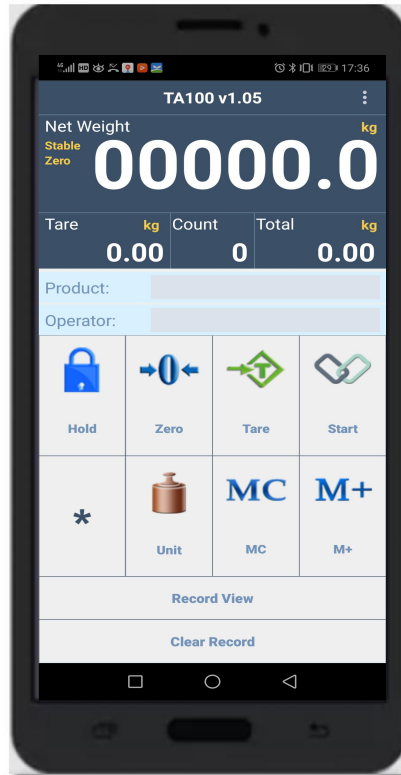
Tn series

TA100 APP SOFTWARE



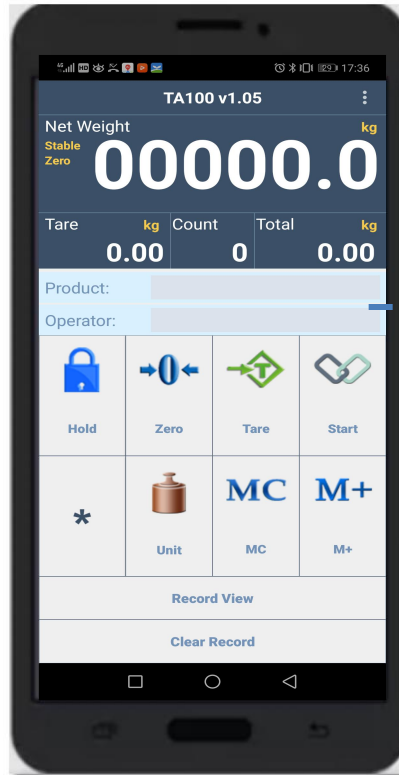
- Optional TA100 APP Software for Android Mobile Phone
- Via Bluetooth communication
- Support Android 4.4 or above
- Avoid user's misread and clerical error

Keys Operation



➤ Remote control for keys operation

Product Configuration



➤ Configure Product and Operator information

Weighing Record

T-Scale SEND RECORD

No	Date	Product	Operator
1	18-08-09 15:57	Screw	James
2	18-08-09 15:57	Screw	James
3	18-08-09 15:57	Steel	James
4	18-08-09 15:58	Screw	James
5	18-08-09 15:58	Screw	James
6	18-08-09 15:58	Screw	James
7	18-08-09 15:59	Screw	James
8	18-08-09 15:59	Steel	James
9	18-08-09 16:00	Steel	James
10	18-08-09 16:00	Steel	James
11	18-08-09 16:00	Steel	James
12	18-08-09 16:00	Steel	James

Total Weighing Record List

T-Scale

No: 1

Net weight: 13.8kg

Tared weight: 5.2kg

Product: Screw

Operator: James

Date: 18-08-09 15:57

Record Data information

No	Net weight	Tared weight	Product	Operator	Date
1	13.8kg	5.2kg	Screw	James	2018/8/9 15:57
2	13.8kg	5.2kg	Screw	James	2018/8/9 15:57
3	13.8kg	5.2kg	Steel	James	2018/8/9 15:57
4	13.8kg	5.2kg	Screw	James	2018/8/9 15:58
5	13.8kg	5.2kg	Screw	James	2018/8/9 15:58
6	13.8kg	5.2kg	Screw	James	2018/8/9 15:58
7	13.8kg	5.2kg	Screw	James	2018/8/9 15:59
8	15.2kg	5.2kg	Steel	James	2018/8/9 15:59
9	13.8kg	5.2kg	Steel	James	2018/8/9 16:00
10	13.8kg	5.2kg	Steel	James	2018/8/9 16:00
11	13.8kg	5.2kg	Steel	James	2018/8/9 16:00
12	13.8kg	5.2kg	Steel	James	2018/8/9 16:00
13	13.8kg	5.2kg	Steel	James	2018/8/9 16:01

Record Data information in csv.file



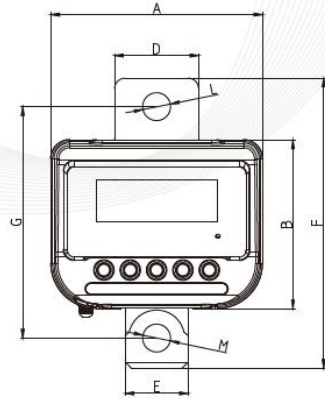
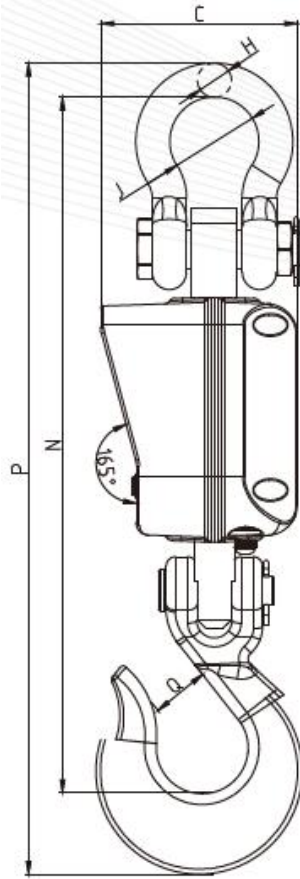
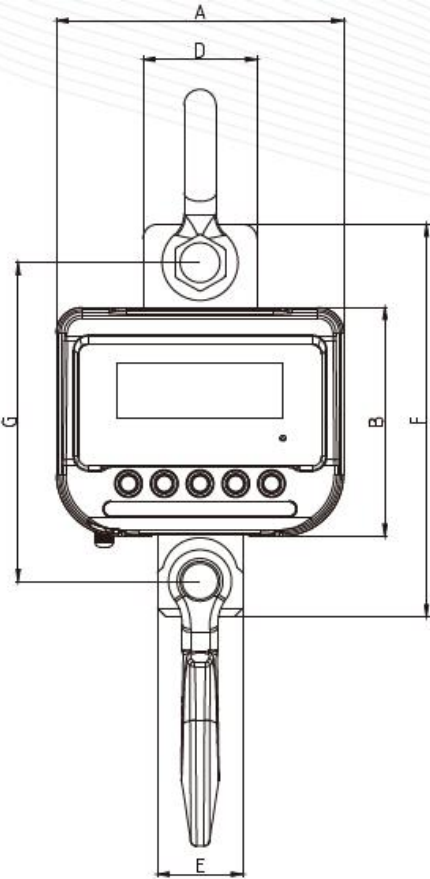
Specification

TN Series

TN Crane Scale

Model		TN				
Display	30mm Digit LCD Display with white LED backlight					
Capacity	600Kg	1.5T	3T	6T	12T	
	1200lb	3000lb	6000lb	12000lb	24000lb	
Divisions	3 x 3,000d					
Max 1 (kg)	150/0.05	300/0.1	600/0.2	1500/0.5	3000/1	
Max 2 (kg)	300/0.1	600/0.2	1500/0.5	3000/1	6000/2	
Max 3 (kg)	600/0.2	1500/0.5	3000/1	6000/2	12000/5	
Units of Measure	kg/lb					
Keys	5 Mechanical Keys					
Housing	Aluminum Die Casting					
Operation Temp	-10°C to 40°C / 14° F to 104° F					
Power	Input AC 100-240V, Output DC12V/2500mA; 7.4Vx5200mAh Li- Battery					
Weight	Net	8.52Kg	8.52kg	9.88kg	17.04kg	20.01kg
	Gross	10kg	10kg	11.5kg	18.5kg	21.5kg
Interface	Optional Bluetooth					

TN Dimension



DTM (mm) CAP	600kg	1.5T	3T	6T	12T
A	201	201	201	201	201
B	160	160	160	160	160
C	128.5	128.5	128.5	128.5	128.5
D	80	80	80	95	95
E	60	60	60	80	80
F	270	270	275	320	330
G	219	219	219.5	248	247.5
H	φ 19	φ 19	φ 22	φ 25.4	φ 31.8
J	φ 50.8	φ 50.8	φ 58	φ 68.3	φ 82.5
L	φ 23	φ 23	φ 26.5	φ 30	φ 36
M	φ 23	φ 23	φ 26.5	φ 30	φ 36
N	415	415	456	528	557
P	477	477	532	624	660
Q	42.9	42.9	50.8	63.5	63.5



Segments

TN Series

Segments

TN series scales are reliable to use all of the Industries, such as ware houses, steel industries, wholesale markets, agriculture, butchery etc.



For Further Information

Please Visit

www.t-scale.com

or Contact

sales@taiwanscale.com